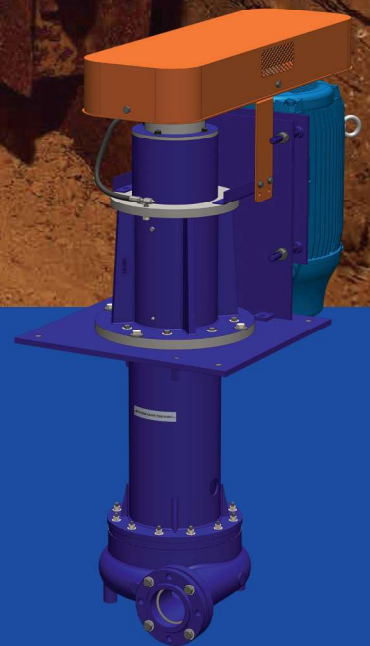




HS

Hydro Solids Pump Range

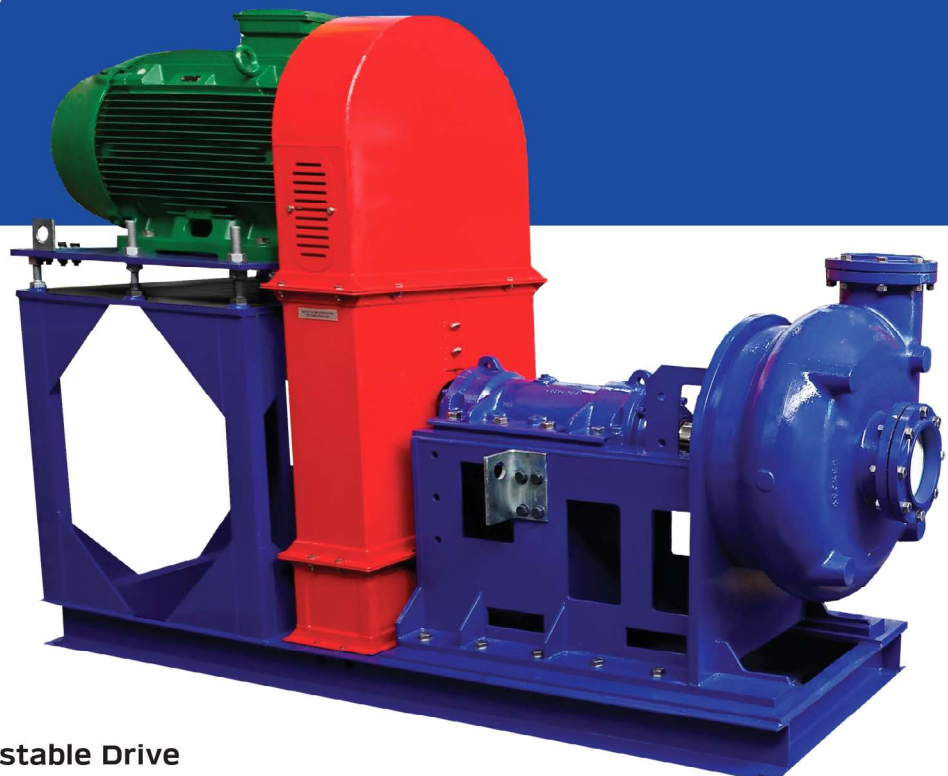
- Horizontal or Vertical



HS Pumps

The HS range are hydro solids pumps available in horizontal and vertical orientations.

- Mine dewatering
- Mill scale
- Settled sludge
- Coal slurry
- Dirty water
- Clay slurry
- Waste water
- Water & Slag
- Coal Fines
- Clarifier sludge
- Plant waste
- Wash down water
- Ash slurry
- Coal pile runoff
- Foundry sand
- Drainage water
- Sewage treatment
- Food processing
- Abattoirs
- Chicken sludge
- Waste paper stock
- Black liquor



Z-Adjustable Drive

Hydro Solids Pumps

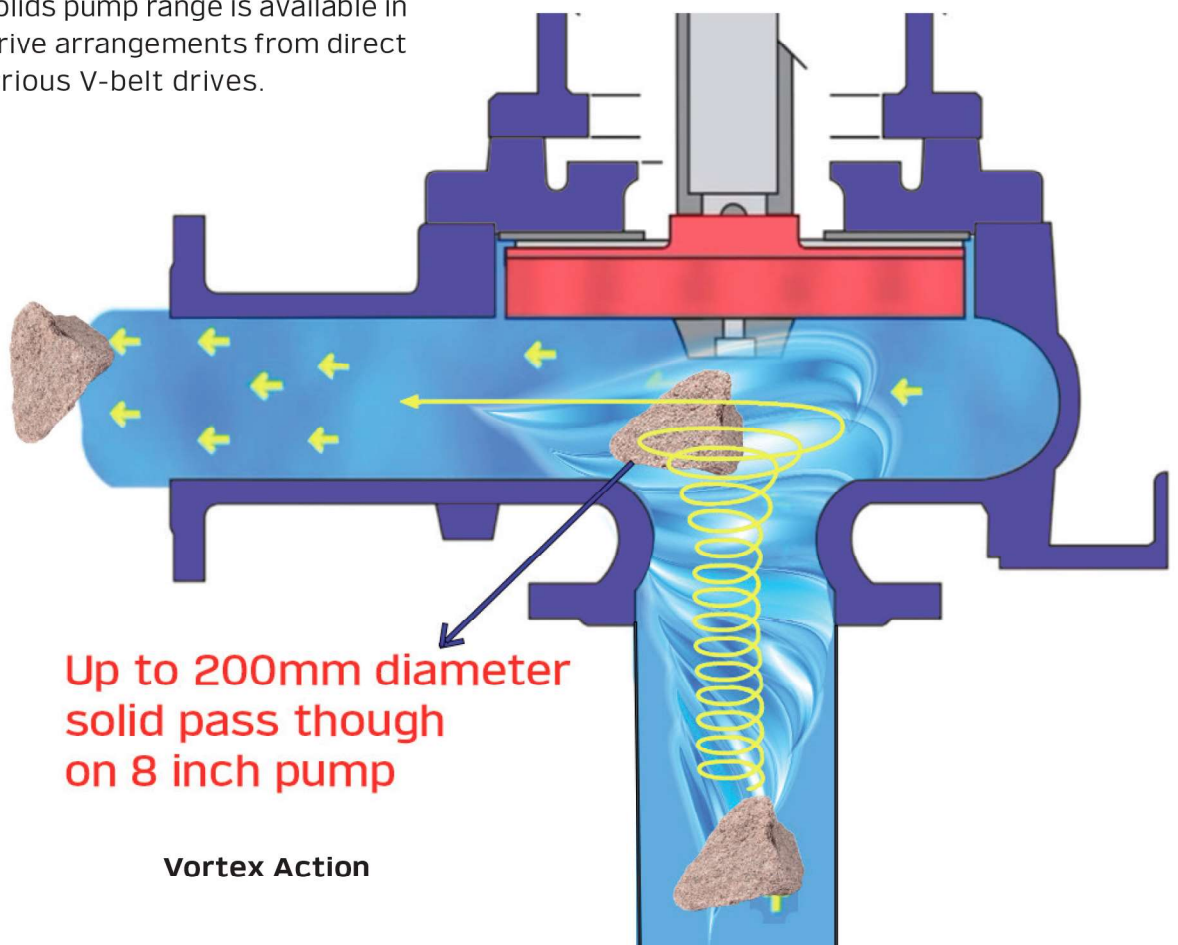
The HS range are available in different models, HS (horizontal hydro solids), VHS (vertical hydro solids) and PVS (pumpmor vertical solids). The models are available in various sizes from 50 mm up to an 200 mm. The HS range wetends are all constructed from a hardened chrome iron 27% (650BHN) for an increased life. The hydro solids pumps are all designed the same with a recessed impeller that gives a lower efficiency than comparable size pump with the impeller in the flow path. Due to the recessed impeller, large abrasive material can enter the suction inlet and be expelled through the pump discharge without damaging the impeller.

The hydro solids pump range is available in a range of drive arrangements from direct drives to various V-belt drives.

The vertical range is available in different shaft lengths which range from 0.9m, 1.1m, 1.5m, 1.8m, and 2.0m. The PVS (pumpmor vertical solids) manufactured in only one spindle length 0.7m and one motor drive.

The hydro solid is a vortex pump designed to pump sludge and slurries containing large abrasive solids, trapped air, and fibrous materials. The HS range is manufactured for both light and heavy duties.

Ideally suited to many difficult applications in waste treatment, paper and pulp, food processing, foundries and steel mills, agriculture, mining and manufacturing industries.



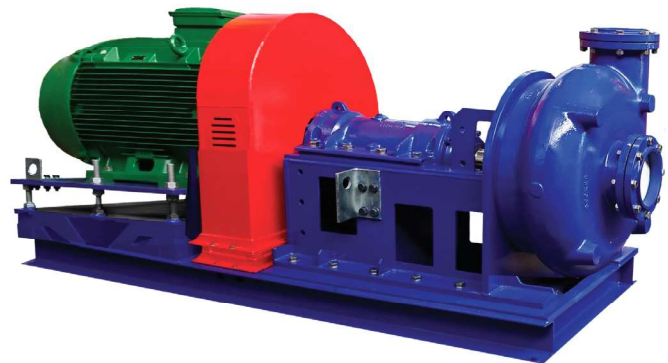
Hydro Solids Pumps

Horizontal

- Casing – Rugged one piece casing is designed to facilitate the flow of all types of solids and fibrous materials.
- Replaceable shaft sleeve – Hook type sleeve protects shaft from media.
- The recessed Impeller will allow any sphere and virtually any solid that enters the suction nozzle to pass through the pump.
- Stuffing box - Easily accessible for maintenance. Minimises blow-back of media around the shaft sleeve without actual sealing contact.
- Construction - CR27% (650BHN) material as standard for increased wear life. Other materials include: Cast Iron,SS316,CD4MCU
- Cantilever shaft (VHS) - No submerged bearings
- Rigid pipe column (VHS) - Maintains alignment between the bearing frame and casing

Vertical

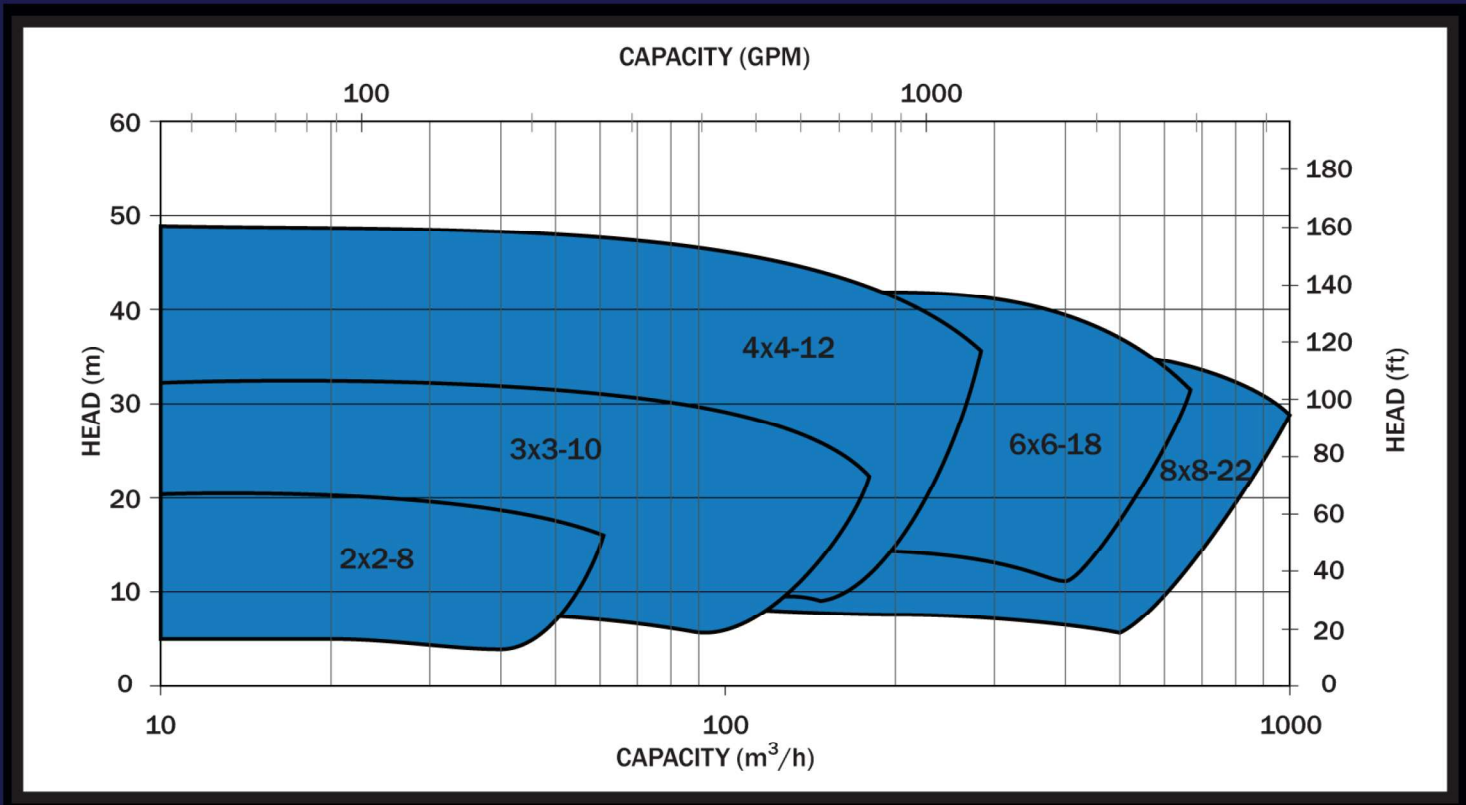
- Casing – Rugged one piece casing is designed to facilitate the flow of all types of solids and fibrous materials.
- Replaceable shaft sleeve – Hook type sleeve protects shaft from media.
- Heavy duty shaft – Large diameters to handle high loads and reduce shaft vibration.
- The recessed Impeller will allow any sphere and virtually any solid that enters the suction nozzle to pass through the pump
- Stuffing box - Easily accessible for service. Minimises blow-back of media around the shaft sleeve without actual sealing contact.



Direct Drive Horizontal



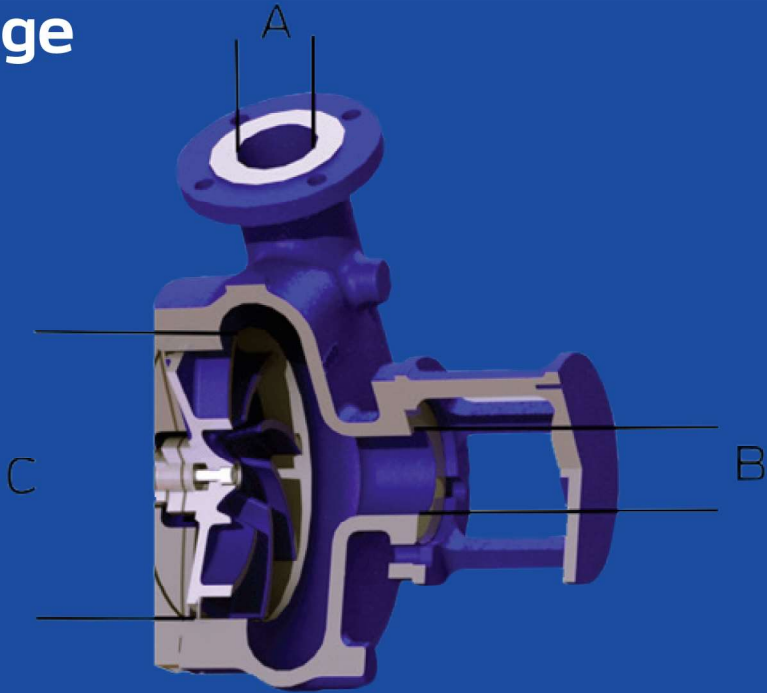
Direct Drive Vertical Spindle



Hydro Solids Pump range

- Horizontal or Vertical

DISCHARGE (A)	SUCTION (B)	IMPELLER (C)
50 mm	50 mm	200 mm
76 mm	76 mm	250 mm
100 mm	100 mm	300 mm
150 mm	150 mm	400 mm
200 mm	200 mm	550 mm
250mm	250mm	660 mm



Becker Mining South Africa (Pty) Ltd
 4 Clarke Street North
 Alrode, Johannesburg
 South Africa

Tel +27 11 617 6300
 Fax +27 11 908 5806

info@za.becker-mining.com
 www.becker-mining.com